

AMERICAN CANOE ASSOCIATION
Whitewater Open Canoe Downriver Racing Rules

Effective January 1, 2019

Document Modified in
1995, 1996, 1998, 2000, 2002, 2008, 2010, 2011, 2014, 2019

TABLE OF CONTENTS

<u>Article</u>	<u>Page</u>
I. Object	1
II. Sanctions	1
III. Eligibility	2
IV. Specifications of Canoes	2
V. Measuring	4
VI. Means of Propulsion	4
VII. Classes of Competition	4
VIII. Course and Schedule Requirements	6
IX. Organization of Competition	7
X. Duties of Officials	8
XI. Invitations	9
XII. Instructions for Competitors	10
XIII. Disqualifications	10
XIV. Starts	11
XV. Overtaking	11
XVI. Finish	11
XVII. Safety	11
XVIII. Determining the Results	12
XIX. Protests	12
XX. Amendments	13
Appendix I: Boat Specification Diagram	
Appendix II: Schedule Information	

Article I: OBJECT

1. The object shall be to promote and regulate Whitewater Open Canoe Downriver Racing. Promotion and regulation shall include, but not be limited to, producing quality competition to increase skills and awareness of paddlers and spectators, encouraging new competitors and new canoeists in general, providing safe and fair racing conditions and quality recreational experiences for all involved.

2. It shall also be to coordinate whitewater open canoe racing rules with the existing National Marathon, Slalom, and Downriver Rules.

Article II: SANCTIONS

1. The annual National Whitewater Open Canoe Downriver Championship and all Regional Championships shall be sanctioned by the WWOCD Downriver Committee of the American Canoe Association, and shall abide by the following rules.
2. Non-championship or local races should be run in general compliance with the non-safety aspects of these rules, though some reasonable adaptations to suit local conditions may be made at the discretion of the local race committee chairman. Safety Standards should be strictly followed.
3. Application for race sanctioning shall be made to the National WWOCD Chairman.

Article III: ELIGIBILITY

1. Whitewater Open Canoe Downriver competition sanctioned by the ACA shall be open to canoeists as prescribed by current ACA by-laws and policies of the ACA Competition Council.
2. Canoeists who are members in good standing of the ACA, including foreign competitors, may compete in championship competitions and receive the appropriate award in the place that they finish. However, the highest finisher(s) in the National Championship event that are citizens of the United States or green card permanent residents will be declared the National Champions.

Article IV. SPECIFICATIONS OF CANOES

A whitewater open canoe is a traditional open Canadian or Native American canoe, which is a boat with ends pointed and higher than the middle, symmetrical side-to-side, and propelled with single bladed paddles.

There will be two categories of canoes. They shall be known as **Stock** and **Unlimited**. The **Stock** classes are intended to include canoes sold for general recreational use. In general, ABS, polyethylene, aluminum and wood/canvas canoes will qualify for inclusion (assuming they meet all dimension requirements) while wood-strip canoes and fiberglass/Kevlar/composite canoes will generally be included in the **Unlimited** classes. A canoe **MUST** be or have been a commercially available, general production model to qualify for the **Stock** classes. In questionable cases, the Race Chairman, Chief Boat Measurer and Chief Judge, shall decide with reference to the intent of this rule.

1. Canoe lengths shall not exceed 18.5 feet. The Canoe width shall be a certain percentage of the overall length of the hull, at a point within one foot of the center of the hull length, measured at the 4 inch waterline, not including a keel. The **Unlimited** class can be of any width, any weight, and of any material, but must meet the other specifications required by these rules. The minimum width for a **Stock** boat at the 4" water line is 16 percent of the canoe length.

Any commercially available "play-boats" constructed of plastic (polyethylene) less than 12 feet in length may compete in the **Stock** class regardless of their length to width ratio. Play-boats constructed from composite materials are not included in the **Stock** class but will qualify for the unlimited classes.

2. There are no weight restrictions for canoes in the **Stock** and **Unlimited** categories.
3. Depth shall not exceed 15 inches for **Unlimited** categories or 16 inches for **Stock** categories, at a point within one foot of the center hull length, measured vertically from the

highest point to the outside bottom, not including a keel.

4. The gunwale shall form a smooth curve or series of compound curves. Width of the gunwale and tumblehome shall not exceed 3.5 inches, measured horizontally from the extreme outside of the hull or outwale to the inside of the inwale.

5. Width of the outwale (including splash rails) shall not exceed 1.5 inches measured horizontally from the adjacent hull to the outside of the outwale. Width of the inwale shall not exceed 1.5 inches measured horizontally from the adjacent hull to the inside of the inwale except where it merges into or is under possible decks.

6. Length of deck shall not exceed 36 inches, measured parallel to the center-line, from the extreme end of the hull to the extreme end of the deck. No part or attachment of the deck may extend more than one inch above the canoe's gunwale.

7. There shall be no devices to remove water other than bailing scoops or sponges.

8. There shall be no devices to assist in portaging other than carrying yokes, pads, tumplines, and bow and stern lines.

9. **Flotation** is used to protect the paddler, the equipment, safety personnel and bystanders who may offer assistance, yet should not be so excessive that the open canoeing tradition is compromised.

There must be enough permanent flotation (air bags excluded) to float the canoe and a 25 lb. weight placed at mid-ship horizontally if the canoe is full of water. If not, sufficient flotation must be added to do so, in accordance to the flotation rules below.

Flotation (inflated air-bags) added to the original hull is limited to a **maximum** of 10 feet of length along the canoe. The 36 inch space under the front deck must be included as part of the 10 feet flotation limit even if not filled with flotation. All flotation not under the front and rear decks must be constrained to remain below the gunwales. The intent of using flotation is not to keep water from entering the canoe, as are the decks, but rather to facilitate self rescue and the righting a capsized canoe should the need arise. The **minimum** flotation required is 6 linear feet of inflated air bags whether they are placed under decks or not. Foam outwales and normal post or pads for a bow paddler are not included in this restriction. Competitors under 19 years of age may add additional flotation to their canoes.

The WWOCD Committee, the WWOOC Chairperson, the Chief Judge, and the Race Chairperson will collectively determine whether or not additional flotation is advised or required for competitors given the circumstances at the venue.

10. The canoe shall not be covered by any device or material other than normal seats, thwarts, decks and flotation as limited above.

11. There shall be no attachment to the exterior of the hull between the waterline and the gunwale other than safety lines, grab loops, or splash rails.

12. Safety lines of at least 1/4" in diameter and 6 feet of length or a six inch diameter grab loop of at least 1/4" line or nylon webbing (strap) shall be attached to each end of the canoe.

13. Length measured along the center-line of the hull only must not exceed 18 feet, 6 inches

14. It is not permissible to make the boat meet the required dimensions by the addition of taped-on extensions or by similar means. The boat should be designed to and remain within, the required dimensions. To be permissible, corrections must be of a permanent nature except where applied to repair damage during an event, and must in no case constitute a potential safety hazard.

Article V. MEASURING

The measuring and inspection of canoes and athletes prior to competition is mandatory and will take place at a station designated by the race officials. Times for inspections will be posted at race headquarters. The initial inspection is a visual inspection to determine the canoes' class (**Stock or Unlimited**) and an inspection of the required safety features. Canoes will be marked as either **Stock or Unlimited**. It is advisable to have **Stock** canoes measured at this time to be sure the canoe is meeting the 16% width to length ratio. Boats will also be inspected visually prior to start on race day and boats that do not comply will not be permitted to start. The first three canoes in each class will be inspected and measured immediately after the conclusion of each race.

1. Conformity to the specifications is necessary for a safe and fair race. It is the responsibility of paddlers to race a canoe which conforms to specifications. Measurements will be made by the chief boat measurer or other experts designated by the chief boat measurer. Measurement will be made by a combination of instruments and experienced "look and feel". Canoes must be brought for measurement and inspection in race ready condition. Any modifications or changes after inspection could result in disqualification.

2. All canoes competing in national and regional championships must be measured and marked prior to the start of competition during times specified by the race committee. Spot checks may be made at any time during and after the competition at the discretion of the race officials. At divisional championships, measuring will be at the discretion of the race officials. Canoes of top finishers in each class may be re-inspected at the finish line.

3. Any canoe failing to comply with the official specifications shall be disqualified and not allowed to start the competition.

4. When using instruments, all measuring shall be to the closest 1/8 inch. Marginal decisions shall be determined by judgment of whether the difference gains the competitor any appreciable advantage over others. All final determinations will be made by the chief boat measurer.

Article VI: MEANS OF PROPULSION

1. Open canoes shall be propelled solely by means of single bladed paddles.

2. The paddles may not be supported on the boats in any way (i.e. no oar locks or braces).

3. If a competitor loses or breaks a paddle, only a spare carried in the boat from the start of the heat may be used in its place.

Article VII: CLASSES OF COMPETITION

1. Championship WWOCD awards shall be presented to 3 places, unless there are fewer than 3 competitors, in which case all competitors would receive awards. No other awards will be used as **official** WWOCD Awards for National Competition.

2. Unofficial awards may be approved by the National WWOCD Committee for each Nationals upon negotiation with the host organization, with award proposals originating from either the Host or the Committee. Guidelines for awards are as follows:

1. Unofficial awards are provided by a *sponsoring organization*, which may be different from WWOCD and the race host.
2. The sponsoring organization is responsible for the cost of the award, and perhaps delivering it.
3. There must be clearly understood criteria for winning the award.
4. If an award winner takes home a traveling award, then that competitor is obligated to return it to the next national event in the same condition as it was received. If the award winner does not take the award home, then the sponsoring organization will preserve it until the Nationals when it is next offered.
5. In the history of WWOCD racing, unofficial awards given have included youngest paddler, outstanding sportsmanship, the fastest Unlimited paddler over 39, and the fastest OC-2 team.

3. The following **age classes** are defined: The following age classes are defined for both sexes, with age being determined by the competitor's age as of the first day of the National Championships. A competitor **must** enter in his or her appropriate age class. No competitor may be under 10 years of age.

a.) 10-12 b.) 13-15 c.) 16-18 d.) 19-39 e.) 40-54 f.) 55-up

Classes shall not be combined.

4. Downriver Race and Sprint Race classes:

OC-2 Classes: (Male & Female & Mixed)

STOCK: (10-12)*,(13-15)*,(10-16/25)**,(16-18), (19-39), (40-54), (50-UP)

UNLIMITED: (10-16/25)**,(16-18), (19-39), (40-54), (50-UP)

OC-1 Classes: (Male & Female)

STOCK: (10-12)*,(13-15)*, (16-18), (19-39), (40-54), (50-UP)

UNLIMITED: (16-18), (19-39), (40-54), (50-UP)

The OC-2 age classes shall be determined by the age of the younger of the two paddlers in age groups d.) through f.). Any one ≥ 19 years old paddling with a partner in age class c.) shall compete in the 19-39 age class.

* These classes will be contested only if a less difficult course is available for these younger competitors.

** This class is made up of competitors from ages (10-16) and a competitor who is 25 years of age or older. This class will compete on the longer more difficult course.

5. A paddler may race in the same class for both the Unlimited and the Stock categories at the same Nationals or Divisional event, if the race venue and schedule allow. No paddler may race twice in the same class and thereby compete against herself/himself, except that the 25-up member in the 10-16/25-up class may race more than once, with a different partner in each race if the schedule and venue allow (up to a maximum of 4 total races each day)

6. Special classes may be formed at the discretion of the organizers of non-championship races when demand for them is sufficient.

7. New classes may be formed as follows: A WWOCD Committee member submits a request for a new class to the WWOCD Chairman by September 1. The request consists of the definition and motivation for the class followed by endorsing signatures of five other ACA members. If the proposal is approved by the National WWOC Committee, the class becomes a trial class for the next two Nationals (and, optionally, Divisional). WWOCD Championship awards will not be presented for trial classes, but other awards should be arranged by the race committee. If 5 or more boats race the trial class in each of the two trial years, the class then becomes permanent.

8. Any class trial or permanent in which 5 boats have not raced for each of 2 consecutive years may be dropped as a class for subsequent years by a vote of the National WWOCD Committee in November.

Article VIII: COURSE AND SCHEDULE REQUIREMENTS

The course shall be of sufficient difficulty to test the whitewater ability of the paddlers.

1. A championship whitewater open canoe downriver race course shall be at least 30 minutes and not more than 100 minutes in length for the fastest canoes. Courses between 30 minutes and 60 minutes are to be preferred, but longer courses may be necessary due to race management conditions. The course shall contain predominantly whitewater and may include portages if appropriate.

2. The sprint race course should be roughly one mile or 7 minutes in length, have no portage, and should contain as much of the best whitewater in the river as is possible subject to the constraints of managing the race and accessibility of the course to spectators. Optimizing on the above factors, the race committee may choose the sprint race from as short as 3 minutes to as long as 12 minutes.

3. The schedule of events shall be as follows: There must be at least 3 days allocated, including one day for practice and two days for racing.

4. The downriver classes should be divided into two days of competition. Additional scheduling information can be found in Appendix III.

5. The race course described in an approved bid for the Nationals, and as published prior to the event, must be used at the time of the event unless the venue is collectively deemed unsafe or unusable by the Race Chairperson, Chief Judge and a majority of the National WWOCD Committee members present at the event. If the published venue is deemed unsafe or unusable, then an alternate venue may be selected with the approval of a majority of the WWOCD Committee members present at the event. The newly selected venue must be used

for the remainder of the competition unless it too becomes unsafe or unusable as collectively deemed by the Race Chairperson, Chief Judge and a majority of the National WWOCD Committee members present at the event. Any time the race venue is changed, the race organizers must provide time for practice on the new venue prior to the National Championship competition.

Article IX: ORGANIZATION OF COMPETITION

The Chairperson of the WWOCD Committee will appoint the Chief Judge, who will act as the representative of the WWOCD Committee and see that the races are run in accordance with these rules, and to the satisfaction of the WWOCD Committee. The Chairperson of the WWOCD Committee may not serve as the Chief Judge.

All Competitions shall be under the jurisdiction of a Race Chairperson and a Race Committee, approved by the Chairperson of the WWOCD Committee. It shall be their responsibility to supervise the competition for which they are appointed, by enforcing the paddling rules and performing the following duties:

1. Publish at least five weeks in advance of the date set for such race, suitable notices announcing the title, site, date, programs of events including eligibility of entrants, address where entries and fees will be received, distance of each event, entry fee, type and class of canoes to be used, closing time for receipt of entries, name of sponsor and name of sanctioning body.
2. Appoint the officials as prescribed in Article X.
3. Provide all physical equipment necessary for the race.
4. Supervise the laying out and marking of the race course, and certify to the sanctioning body the accuracy of the courses.
5. Authority to investigate the eligibility of any contestant, irrespective of the entering of any protest, and if the circumstances so justify, the Race Committee is empowered to refuse entry.
6. A race headquarters shall be established at some convenient location to post information about the events, such as time schedules for competitions, maps (which indicate the location of named rapids, the starting points and finishing points of competitions, and roads to and from these points), a lists of competitors, and a list of race officials in charge of running the event. There shall also be a list posted of all WWOCD Committee Members attending the event. Headquarters should be staffed for at least 3 hours per day from two days before the first race until the day of the last race.
7. Protests - See Article XIX.
8. Within two weeks after the conclusion of the race, render to the sanctioning body a complete report, covering the finances for each event, the name and position of each paddler. Such report shall contain a statement of any protest lodged with the Committee and the decision rendered. A final financial report must be sent to the sanctioning body three weeks prior to the next annual National Congress.
9. Within one month after the conclusion of competition, forward the names and positions of all competitors to all race participants.

10. The Race Committee shall see that proper provisions are made for the presentation of the awards to the contestants.

11. The WWOCD Nationals should take place between June 20 and August 20.

12. WWOCD members should solicit bids for the Nationals event so that they may be discussed at the paddlers meeting 2 years before the actual event. A bid consists of a formal letter from the local organization with an appendage containing as much of the information listed in Article XI as is known at the time. The National WWOCD Committee shall make the site selection in November and publicize the decision by January, roughly 18 months before the actual race.

13. If, in case of extreme conditions, the race cannot be properly held at the published site, the National WWOCD Committee may move the race to any course on which it has been held in the last 10 years. If such action is taken, the decision must be made at least one week before the first scheduled event with all necessary new information available at the national office of the ACA.

14. In extreme circumstances at the race site, race rules may be temporarily altered by a decision supported by a majority vote of the National WWOCD Committee present at the race plus the Race Chairperson and Chief Judge.

15. The race organizer shall be required to supply participation certificates to all junior, youth, and cadet competitors at the WWOCD National Championships.

Article X: DUTIES OF OFFICIALS

Officials shall be appointed by the WWOCD Chairperson and his/her designees. Depending on the availability of personnel, an individual may have more than one official capacity.

1. The **Race Chairperson**, who is also the **Chairperson of the Race Committee**, appoints the Jury and other officials (with the exception of the Chief Judge) as needed to assure the smooth execution of the race. The Race Chairperson shall arrange for the pre-race meeting(s) to advise racers regarding safety and scheduling of the races.

2. The **Chief Judge** is appointed by the WWOCD Chairperson. He/she is responsible for the correct running of the race in accordance with these rules. He/she interprets these rules, and has the right to disqualify or grant a rerun. He/she is the chairman of the Jury. The Chief Judge cannot serve on the Race Committee as an Official in any capacity except as that of the Chief Judge.

3. The **Downriver Chairperson** shall supervise the race and be responsible for seeing that it takes place according to the program and without unnecessary delay. With the assistance of the Measurer, they must ensure that all regulations concerning measurements are observed by all canoes taking part in the contest.

4. The **Competition Secretary or Recorder** shall be responsible for recording the results and preparing the list of all contestants. He/she shall keep the minutes of the proceedings of any protest.

5. The **Starter** decides all matters concerning the start of the races, and is alone responsible for decisions as to false starts. The Starter's decision is final. He/She can refuse to start a competitor if the competitor:

- a. Fails to follow the safety rules;
 - b. Fails to appear at an assigned start time;
 - c. Appears without a correct number bib;
 - d. Fails to follow the Starter's orders; or
 - e. Appears in a canoe that has not been measured and marked.
6. The **Finishing Line Judge** shall note the order in which the competitors have passed the finishing line, and must rule on disqualification for crossing the line capsized.
7. The Race Chairperson shall appoint a **Jury/Protest Committee** of 3 or 5 members. The Chief Judge shall be the chairman of the Jury. The Jury controls the correct running of the race, receives any protests concerning the non-observance of these rules, and ultimately decides in the event of disagreement on the interpretation of these rules. The decisions of the Jury shall be guided by these rules insofar as possible, but it must also decide on all matters arising during the race which are not covered herein. The Jury can disqualify a competitor for all or part of the race. A member of the Jury must not vote in a decision involving classes in which he/she competes. Any member selected to serve on the Jury/Protest Committee cannot simultaneously serve as a member of the Race Committee in any capacity.
8. **Timekeepers** are responsible for noting the time and bib numbers. At National and Regional Championships they must employ both a primary and back-up timing system.
9. The **Measurer** shall supervise the measuring of canoes.
10. The **Safety Officer** shall have overall responsibility for safety measures. Assisted by his/her team and according to the circumstances, shall do his/her utmost for the rescue of competitors who have capsized and do not refuse assistance, and shall make a reasonable effort to recover their equipment.
11. The identities of all Race Officials shall be made known to the competitors prior to the start of competition by posting a list of the officials at race headquarters. This list will include the Chief Judge and the Jury.

Article XI: INVITATIONS

1. The invitation and entry form for a downriver race should be distributed at least five weeks prior to the entry deadline. The invitation should include the following information:
- a. Time and place of competition.
 - b. Description of course, including water conditions and degree of difficulty.
 - c. Classes to be run and eligibility requirements.
 - d. Sequence and approximate starting times.
 - e. Safety measures to be taken.
 - f. Address to which entries should be sent and amount of fee.
 - g. Last date for entries to be postmarked.
 - h. Whether late entries will be accepted and conditions.

- i. Time and place for drawing of starting positions.
- j. Limitations on entries, if any.
- k. Nature of awards to be given.
- l. Required work assignment for competitors, if any.
- m. Regulation on training runs.
- n. Whether meals, camping, or other accommodations are available including public transportation and driving directions.
- o. Schedule of events, (including water releases, boat measuring, meetings, etc.)
- p. Statement to be signed by competitor(s) releasing the race organizers from liability during the race and an agreement that the competitor(s) will abide by the ACA Whitewater Open Canoe Downriver Racing Rules.
- q. Special information for the handicapped.
- r. Any other information as deemed necessary.

2. In the event that an entry is rejected, notice of rejection (with reasons for the latter), shall be sent by mail to all affected competitors. Withdrawal of an entry for good cause prior to the registration deadline, or cancellation of the race by the Organizers, should result in at least a partial refund less an amount to be held by the Organizers to cover handling costs. At the discretion of the Race Chairman, alteration of entries may be accepted prior to the close of late registration. No entry may be altered after late registration has closed.

Article XII: INSTRUCTIONS FOR COMPETITORS

Each competitor shall receive instructions before the beginning of the competition concerning the following:

1. Detailed information on the courses and their markings
2. Starting time, interval and order
3. Finishing time
4. Starting time and procedures
5. Competitors racing number
6. Safety procedures

It is particularly important to cover any late changes in the course, or hazardous spots. Competitors may ask questions about the course or the operation of the race. Additional meetings may be held as deemed necessary by the Race Chairman. Information presented at these meetings shall be made available to competitors excused from the meeting by a race official.

Article XIII: DISQUALIFICATIONS

1. Any competitor who attempts to win a race by other than honorable means, or who breaks the racing rules, or who disregards the honorable nature of the racing rules shall be disqualified.

2. Should a competitor have completed a race run in a canoe which is shown upon inspection to not comply with these rules, the Race Chairperson shall take appropriate action which may include disqualification.
 3. The same boat and competitors must be used for the entirety of the race. If one team member drops out or if the canoe becomes unusable, the team and canoe shall be disqualified.
 4. No supplies, provisions, or equipment of any kind may be picked up or intentionally discarded along the course.
 5. No assistance of any kind along the race course shall be permitted. Paddlers receiving assistance will be disqualified. Safety personnel should not assist contestants if the latter specifically refuses help (Unless the safety personnel believe that it is a life threatening situation). However, once assistance has been accepted, the competitor(s) is automatically disqualified (unless any of the competitors is under the age of 19, including mixed age group classes) and should be listed as DNF even if the competitor(s) continues on to the finish line.
 6. Any competitor who shall fail to remain on the marked course as outlined in advance by the race organizer, or who makes a portage or portages not marked as mandatory or optional shall be disqualified, regardless of advantage gained.
 7. Failure to perform a work assignment or safety assignment, unless excused, will entail disqualification for the entire race.
 8. Deliberate misrepresentations on an entry form or in statements to Officials will result in disqualification from the category involved or from the entire race, depending on their nature.
- Except as required above, the Race Chairperson and Chief Judge may disqualify a competitor from a single class, or from an entire race, depending on the nature and severity of an infraction.

Article XIV: STARTS

Canoes may be started en mass, singly, or in randomly chosen sub groups as determined by the Race Committee.

Article XV: OVERTAKING

It is the duty of the overtaking craft to keep clear at all times of the boat being overtaken. However, the craft being overtaken is not allowed to alter its course to create difficulties for the overtaking craft.

Article XVI: FINISH

The finishing line is reached when any part of the upright canoe with paddlers in it crosses the finish line. All finish times should be rounded to the nearest tenth of a second. Except when a class was started en mass and a winner can be ascertained by visible means, finish times which are the same after rounding result in a tie.

A competitor's time is complete when he/she crosses the finish line. The competitor may not cross the finish line more than once.

Article XVII: SAFETY

1. All competitors must wear:

- a.) U.S. Coast Guard approved Type III Life jackets or **personal flotation device (PFD)** or the equivalent over-the-shoulder type. Inflatable PFDs are not acceptable.
- b.) Properly-fitting **paddling helmets** (in class II water and above). Bicycle helmets are not acceptable.
2. All competitors must have an appropriate level of additional **flotation** in their canoes for the venue.
 3. Every Canoe must be equipped with a **throw bag** that is readily accessible. For our purposes an appropriate throw-bag is a rescue device with a length of floating rope stuffed loosely into a bag (usually nylon) so it can play out through the top when the bag is thrown to a swimmer. Internal foam flotation keeps the bag on top of the water where you need it for rescue.
 4. It is the responsibility of each contestant to stop racing and assist other competitors in serious personal danger. Failure to do so shall result in lifelong disbarment from Whitewater Open Canoe Downriver racing.
 5. Any boat withdrawing from the race must notify the officials as soon as possible.
 6. The organizers shall make every effort to provide other safety measures according to the difficulty of the course and the experience of the paddlers. Safety boats and/or other safety measures shall be provided along the course.
 7. Every reasonable measure must be taken to remove any disabled boats or equipment obstructing the course.
 8. Safety personnel should not assist contestants if the latter specifically refuses help. However, once assistance has been accepted, the competitor(s) is automatically disqualified (unless any of the competitors is under the age of 19, including mixed age group classes) and should be listed as DNF even if the competitor(s) continues on to the finish line.
 9. Competitors must at all times be in a position to free themselves immediately from their boats.
 10. Any competitor attempting to circumvent these requirements will be disqualified.
 11. The WWOCD Committee members as individuals, the Chief Judge, and the Race Chairperson will be designated safety officers on the insurance request application form and any other applicable permit applications.

Article XVIII: DETERMINING THE RESULTS

The lowest elapsed time from start to finish determines the placement of the competitors.

Article XIX: PROTESTS

A Jury/Protest Committee must be appointed by the Race Chairperson with the approval of the sanctioning body.

1. Any protest that arises during a competition must be addressed to the Race Chairperson not later than one hour after the completion of the race. If protests involve a violation of the rules, the Chairperson may decide; if the protest involves interpretation of the rules, said protest must be referred to the Jury/Protest Committee for resolution.

2. A late protest shall be referred to the Race Chairperson of said race, in writing not later than 10 days following the completion of the race, and accompanied by a fee of \$10.00. If the protest is upheld, the fee is returned to the protester.

3. Competitors have a right to appeal to the National Whitewater Open Canoe Downriver Committee a decision of the Protest Committee within 30 days from the announcement of said decision.

4. A protest concerning the right of a competitor to participate must be handed to the Race Chairperson, not later than one hour before the start of the competition. A protest against the right of a competitor to participate may be lodged with the National WWOCD Committee within 30 days after the competition if it is based on facts which became known later than one hour before the start of the competition.

Article XX: AMENDMENTS

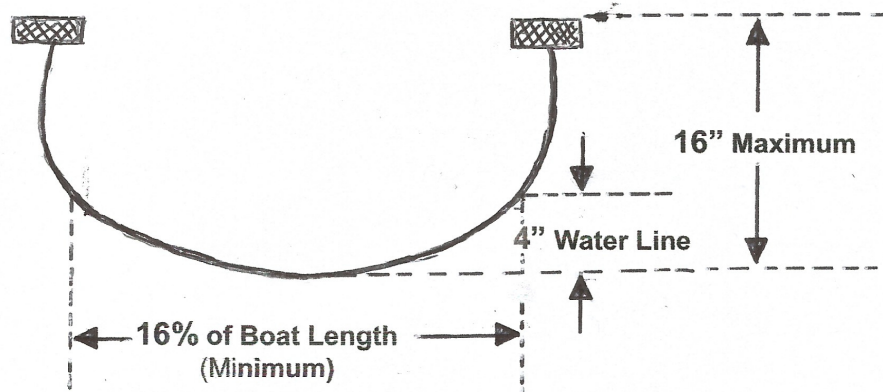
1. These rules are to be in effect beginning January 1 of the year adopted. These rules and regulations may be amended only by a majority vote of the National WWOCD Committee.

2. The National WWOCD Committee may issue interpretations and supplementary rulings on questions as they arise. Such rulings shall take effect immediately upon publication, and shall be noted within the body of the rules.

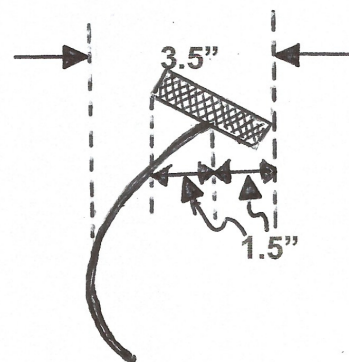
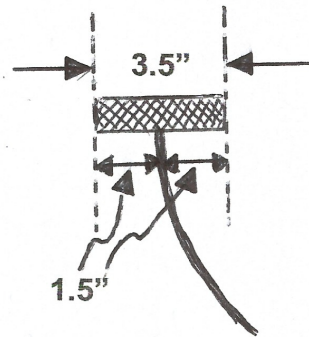
RULES: APPENDIX I BOAT SPECIFICATIONS

WVOC BOAT SPECIFICATIONS

Width Specifications: Stock

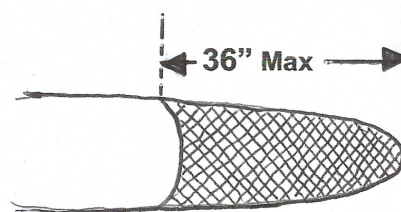
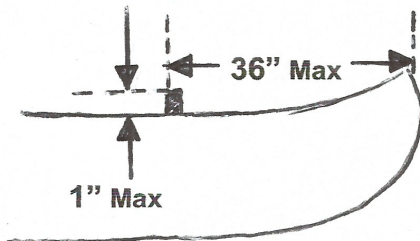


Gunwale & Tumblehome Specifications: Stock & Unlimited



All Dimensions are the Maximum Allowed

Deck Specifications: Stock & Unlimited



RULES: APPENDIX II – SCHEDULE INFORMATION

Two-Day Events

(Year 1)

DAY 1: OC-2 Classes: (Mixed), (All Female), (10-12), (13-15), (10-16/25)

OC-1 Classes: (All Male)

DAY 2: OC-2 Classes: (All Male)

OC-1 Classes: (All Female), (10-12), (13-15)

All Sprints

(Year 2)

DAY 1: OC-2 Classes: (Mixed), (All Male), (10-12), (13-15), (10-16/25)

OC-1 Classes: (All Female)

DAY 2: OC-2 Classes: (All Female)

OC-1 Classes: (All Male), (10-12), (13-15)

All Sprints

(Year 3)

DAY 1: OC-2 Classes: (Mixed), (All Female), (10-12), (13-15)

OC-1 Classes: (All Male)

DAY 2: OC-2 Classes: (All Male), (10-16/25)

OC-1 Classes: (All Female), (10-12), (13-15)

All Sprints

Three-Day Events

(Year 1)

DAY 1: OC-2 Classes: (All Female)

OC-1 Classes: (All Male), (10-12), (13-15)

DAY 2: OC-2 Classes: (All Male), (10-12), (13-15)

OC-1 Classes: (All Female)

DAY 3: OC-2 Classes: (Mixed), (10-16/25)

OC-1 Classes: (None)

(Year 2)

DAY 1: OC-2 Classes: (Mixed), (10-12), (13-15)

OC-1 Classes: (None)

DAY 2: OC-2 Classes: (All Female)

OC-1 Classes: (All Male), (10-12), (13-15)

DAY 3: OC-2 Classes: (All Male), (10-16/25)

OC-1 Classes: (All Female)

Year (3)

DAY 1: OC-2 Classes: (All Male), (10-12), (13-15)

OC-1 Classes: (All Female)

DAY 2: C-2 Classes: (Mixed), (10-16/25)

OC-1 Classes: (None)

DAY 3: OC-2 Classes: (All Female)

OC-1 Classes: (All Male), (10-12), (13-15)

Notes:

Sprints for the three-day racing agenda would be held either on DAY 2 or the same day as each class on DAYS 1, 2 and 3. For example, if the sprints were held on DAY 2 of the event in

the first year of rotation, then the following classes would have to race both sprint and the downriver races on the same day. All OC-2 Classes for Males both Unlimited and Stock, all OC-2 Male and Female classes in the (10-12) and (13-15) age groups, and all OC-1 classes for Females both Unlimited and Stock. All other classes would race only sprints on DAY 2. For those classes racing the sprints and down river race the same day maximum time would be allowed between their sprint start and their downriver start. If the above schedule were used, the OC-2 Male classes would be the first sprint classes away, followed by the (10-12), and (13-15) OC-2 classes for both Males and Females, followed by all the OC-1 Women's classes. All of the classes scheduled for DAY 1 and DAY 3 would then follow in the sprints, and at their conclusion, the down river races for the DAY 2 classes would start. In the second year of rotation a different group of Classes would race both sprints and downriver on the same day, and so on!

If the race organizers decide to have the sprints on each day for the downriver classes scheduled for that day, then all competitors would do their sprints and downriver race on the same day. That is, DAY 1 in the first year of rotation would have those classes shown doing both the sprint and downriver on that day, DAY 2 would have those classes shown doing the sprint and downriver on DAY 2, and on DAY 3 the OC-2 Mixed, (both Unlimited and Stock), and the (10-16/25) would do both the sprint and downriver races.

Four-Day Events

(Year 1)

DAY 1: OC-2 Classes: (All Female)
OC-1 Classes: (All Male), (10-12), (13-15)

DAY 2: Sprints

DAY 3: OC-2 Classes: (All Male), (10-12), (13-15)
OC-1 Classes: (All Female)

DAY 4: OC-2 Classes: (Mixed), (10-16/25)
OC-1 Classes: (None)

(Year 2)

DAY 1: OC-2 Classes: (Mixed), (10-12), (13-15)
OC-1 Classes: (None)

DAY 2: Sprints

DAY 3: OC-2 Classes: (All Female)
OC-1 Classes: (All Male), (10-12), (13-15)

DAY 4: OC-2 Classes: (All Male), (10-16/25)
OC-1 Classes: (All Female)

(Year 3)

DAY 1: OC-2 Classes: (All Male), (10-12), (13-15)
OC-1 Classes: (All Female)

DAY 2: Sprints

DAY 3: OC-2 Classes: (Mixed), (10-16/25)
OC-1 Classes: (None)

DAY 4: OC-2 Classes: (All Female)
OC-1 Classes: (All Male), (10-12), (13-15)

Notes:

In the four-day event format, competitors would race their downriver races and sprint races on separate days. Race organizers would have the option to schedule the sprints on any one of the four days; Day 2 is used only as an example here.